



TMU40

40 mm (1½")
ultrasonic
non-moving part
consumer water meter

The TagMeter® TMU series is a unique range of ultrasonic water meters without moving parts and a full bore flow tube. They are ideal for use where mechanical meters traditionally fail due to air or grit in the water or high ambient and liquid temperature conditions. Non-measurement of air improves customer billing reliability.

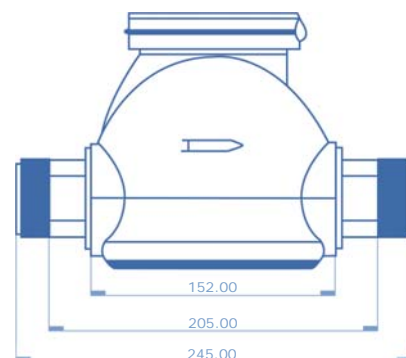
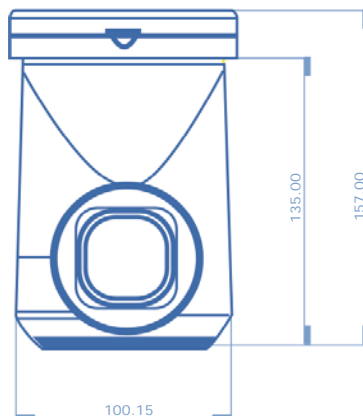


GENERAL SPECIFICATIONS

| | |
|----------------------------|--|
| Principle of Operation | Ultrasonic transit time using inline flow cell |
| Battery life | 10 years at least |
| Display | 9 digit LCD |
| Enclosure rating | IP68 to BS EN 60529:1992 |
| Interfaces | Pulse Output Inductive communication port (PAD) Serial interface for AMR |
| Materials | Wetted parts: EMS Grivory HTV-4X1 black 9225 (WRAS listed) Other parts: Polycarbonate |
| Reverse Flow | Indicated but not accumulated |
| Strainers/non-return valve | Not required to protect meter |

METER SPECIFICATIONS

| | |
|-------------------------------|-----------|
| Nominal bore DN | 40 mm |
| Normal flow rate (ISO4064) Qn | 10.0 m³/h |
| Meter connection thread | 1½" |
| Meter length | 245 mm |
| Weight | 1.0 kg |
| ISO4064 Class C performance | |
| Maximum flow rate Qmax | 20.0 m³/h |
| Minimum flow rate Qmin | 100.0 l/h |
| Transitional flow rate | 150.0 l/h |
| OIML R49 performance | |
| Q3 | 16.0 m³/h |
| Q3/Q1 | 160 |
| Maximum ambient temperature | 85°C |
| Maximum liquid temperature | 85°C |
| Pressure rating | PN10/16 |
| Head loss at Qmax, Q4 | |



Prepaid Meter

TagMeter® is very experienced in prepaid meters and prepaid metering. Our Ultrasonic Meters are also used in this type of meters.

Prepaid package consists of:

- Constructed of strong Anodized Extruded Aluminium Profiles
- Sandcasted aluminium top part with a powder coating finish which holds the potted electronic parts
- YMMI: Yard Meter, SPMI: Standpipe or Communal Water Dispenser
- Optional Mini Hydro Generator as power supply to the prepaid electronics
- CFM32® Cashflow Management Software for topping up credits onto the Passive RFID Transponders. Other modules in CFM32®:
 - Zoning, Debt Repayment, Emergency Credits, Tariffing, Reporting, etc.
 - Multi-use
- CFM32® is developed and maintained by our very own in-house Software Department. This means we are able to do adaptations and/or tailor-made procedures ourselves.



CONTACT TagMeter®

URL: <http://www.tagmeter.com>
Tel: +31 (0)165 553 360

E-mail: info@tagmeter.com
Fax: +31 (0)165 551 480